

REMOTE HELIUM SET-UP

Remote Helium Set-Up Instruction Sheet

Remote Helium Setup includes:

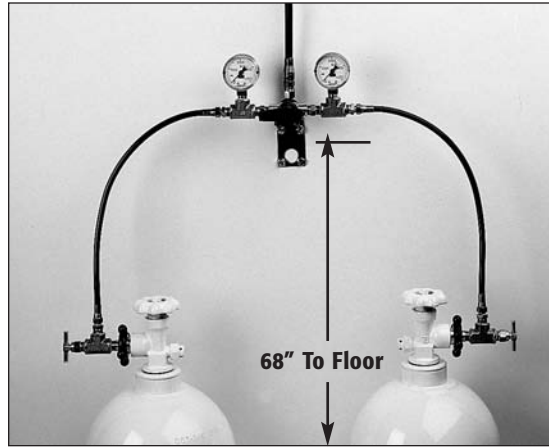
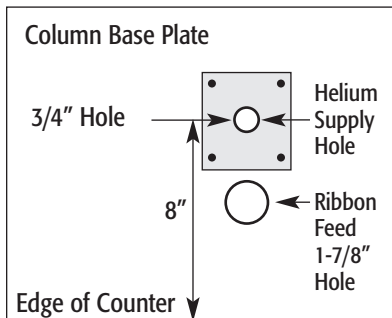
- 1 Counter-Top Helium Outlet
- 1 2-Cylinder Switch-Over
- 2 Cylinder Safety Wall Brackets



Counter-Top Helium Outlet

1. Measure 8" from the edge of the counter and drill a 3/4" hole.
2. Feed the helium supply hose through the countertop. Mount the helium column, centered over the hole. Make sure the helium valve outlet is pointing to the left.
3. If using the under-counter ribbon dispenser, drill a 1 7/8" hole in front of the helium column. Press the plastic sleeve into the hole to provide a smooth surface for the ribbons to feed through.

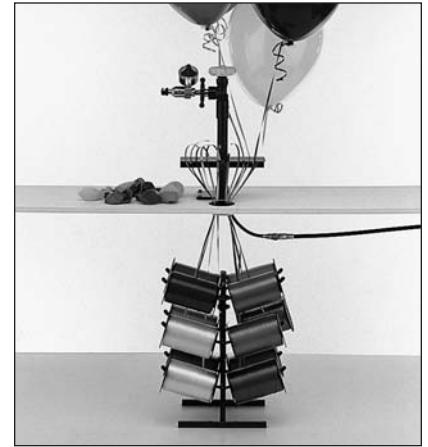
Top View of Counter



Cylinder Switch-Over

(Back Room Helium Supply)

1. Mount the two-cylinder manifold to the wall above the cylinders. Allow enough room for the hose to adjust to large-size cylinders without having to be pulled tight or kink.
2. Connect the hose assembly to the cylinders and mark on the wall the appropriate spot for the cylinder safety wall brackets. Mount the cylinder safety wall brackets above the center of the cylinders.



Optional Under-Counter Ribbon Dispenser

Conwin's Under-Counter Ribbon Dispenser features independent feed holes for each ribbon. Mounts to Counter Top Helium Outlet for an efficient and convenient way to dispense ribbon. 8 & 20 spool models available.

Under-Counter 8-Spool Ribbon Dispenser

Conwin #49046

Min. 23" Clearance Under Counter Required

Under-Counter 20-Spool Ribbon Dispenser

Conwin #49047

Min. 31" Clearance Under Counter Required



Wall Bracket Mounting Instructions

Hold Cylinder Safety Wall Bracket against the wall and outline mounting holes with a pencil. For maximum support, position the bracket above the middle section of the cylinder just below the crown of the cylinder.

Mounting on a Wood Surface

- Drill an 1/8" pilot hole.
- Mount with screw provided.

Mounting on a Drywall Surface

- Drill a 1/4" pilot hole.
- Insert the anchor into the pilot hole.
- Mount with screw provided.

Mounting Multiple Brackets

When mounting several brackets in one workstation, bolt a 2"x4" board to the wall, and use wood screws to mount the brackets in a row.

Service & Warranty

For assistance with service & repair issues, or for warranty information, please visit ConwinOnline.com, or call (818)246.9233



Online
Projects
Designs
Galleries
...and more!

ConwinOnline.com

04072006

Conwin's Portfolio Builders

Update Your Portfolio!

A picture is worth a thousand words. Is your portfolio up to date on the latest? Conwin's Portfolio Builder images are the perfect solution for making winning presentations to your clients. Thirty-two photo quality images are available in the full series.



Visit www.ConwinOnline.com today!



CONWIN INC.
4510 Sperry Street • Los Angeles, CA 90039
Phone (818) 246-9233 FAX (818) 246-6862



Related Products for Remote Helium Set-Up

4-Wheel Hand Truck



Versatile and sturdy, Conwin's 4-Wheel Hand Truck a rear wheel carriage with extended back wheels that provide maximum stability and locks into place for easy transportation. Additional features include heavy-duty wheels and two-position belt holders.

Cylinder Safety Stand



A must for safety in the shop or on the job! Conwin's Cylinder Safety Stand features a flat baseplate that provides greater stability. Two adjustable Velcro® safety belts secure all size cylinders.

Add-On Workbench for 4W Hand Truck



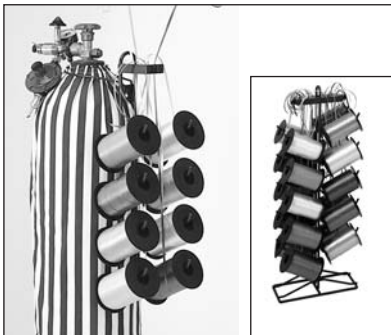
Create a large, convenient workspace with Conwin's Add-On Workbench for the 4-Wheel Hand Truck. The frame is designed to transport SDS grids and features a rack on which to hang Conwin's Balloon Caddy and 8-Spool Ribbon Dispenser.

High-Pressure Test Gauge



Stop guessing how much helium you have left in your tank! With the High-Pressure Test Gauge, you can know for sure. The test gauge features a bleed valve, rubber guard and is glycerine-filled to withstand impact.

Ribbon Dispensers



The versatile 8-Spool mounts on the wall or your cylinder. The 20-Spool is a compact, free-standing unit featuring two ribbon cutters. Perfect for use in the shop or on the job.

Hi-Float™ Pump



The Power Pump eliminates worker fatigue caused from repetitive hand pumping motion. The Power Pump works with the Ultra Hi-Float™ bottle and is powered by a helium or nitrogen cylinder. If you treat a large volume of balloons with Hi-Float™, this is the tool for you.

The Duplicator 2



Duplicator 2 automatically inflates and sizes 5-inch to 16-inch latex balloons at the touch of a button. The separate automatic foil balloon filling outlet inflates foil balloons to the correct pressure and size, making it an essential tool for decorators and store owners alike.

Tools of the Trade

Request a DVD or
Watch Live DEMOS
of Conwin Products
Online

@ www.ConwinOnline.com

